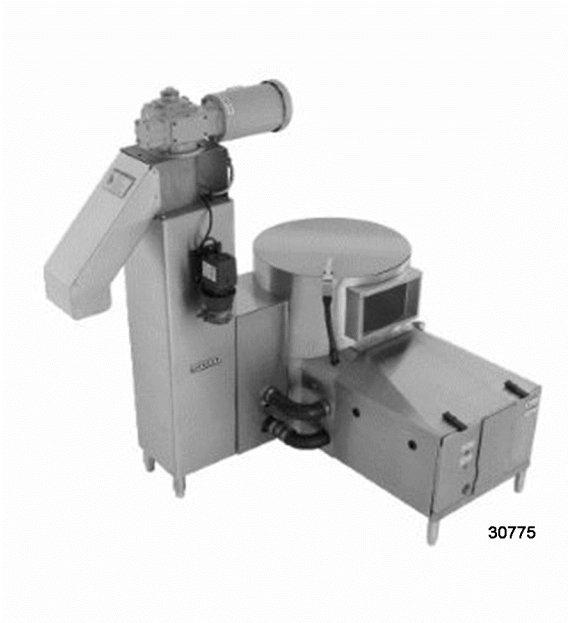




CATALOG OF REPLACEMENT PARTS



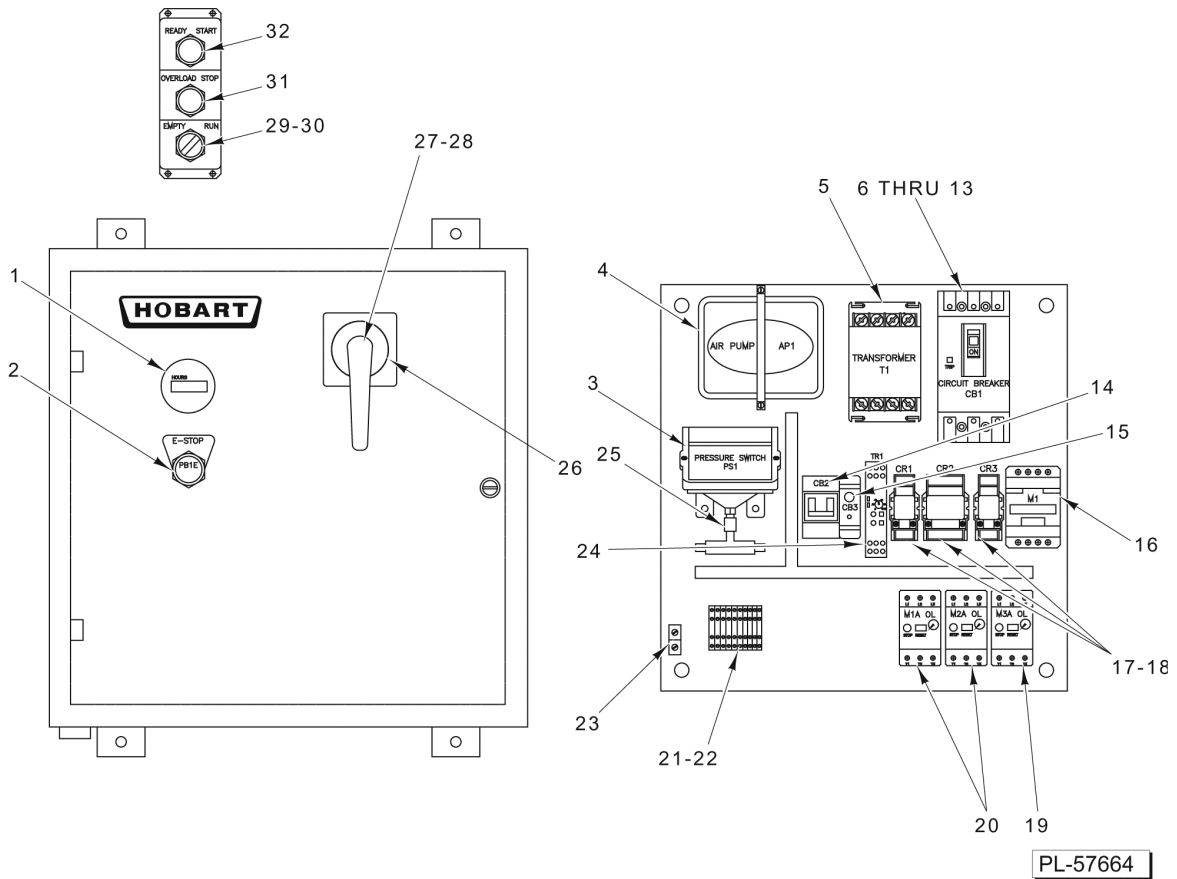
WASTEPRO

ML-130046
ML-130047
ML-130048
ML-130049

WPS1200
WPR1200
WP6
WP9

Table of Contents

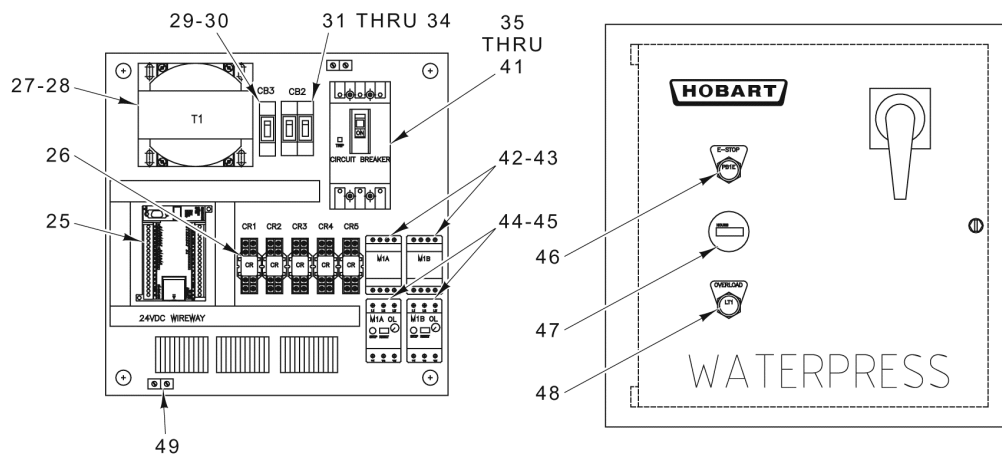
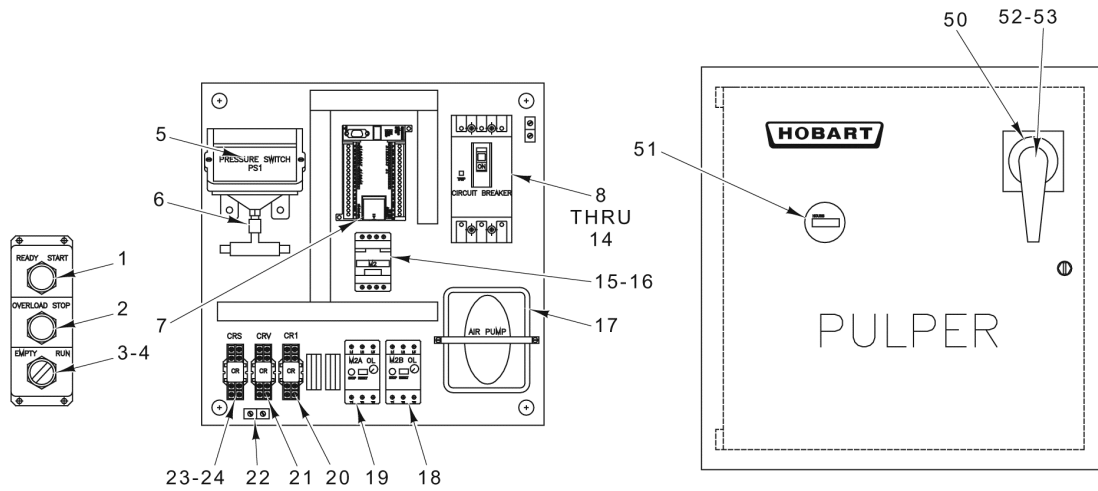
5 CONTROL PANEL (ML-130046)
7 CONTROL PANEL (ML-130047, ML-130048, & ML-130049)
9 CUTTING AND PUMPING MECHANISM
11 WATERPRESS (ML-130046)
13 WATER INLET AND RETURN (ML-130046)
15 WATERPRESS FRAME (ML-130048)
17 PULPER (ML-130046 & ML-130047)
19 RETURN WATER PUMP (ML-130046 & ML-130048)
21 WATERPRESS (ML-130048)
23 WATERPRESS - UPPER SECTION (ML-130049)
25 WATERPRESS - LOWER SECTION (ML-130049)
27 WATER INLET (ML-130048 & ML-130049)
29 WATER RETURN (ML-130048 & ML-130049)



CONTROL PANEL (ML-130046)

CONTROL PANEL (ML-130046)

ILLUS.	PART NO.	NAME OF PART	AMT.
PL-57664			
1	00-316077	Meter - Hour (Round).....	1
2	00-316099	Button - E-Stop.....	1
3	00-316198	Switch - Pressure.....	1
4	00-316078	Pump - Air.....	1
5	00-316148	Transformer (350 VA; 208, 230, & 480).....	1
6	00-316085	Circuit Breaker - Main (15 Amp.).....	1
7	00-316086	Circuit Breaker - Main (20 Amp.).....	1
8	00-316087	Circuit Breaker - Main (25 Amp.).....	1
9	00-316088	Circuit Breaker - Main (30 Amp.).....	1
10	00-316089	Circuit Breaker - Main (35 Amp.).....	1
11	00-316090	Circuit Breaker - Main (40 Amp.).....	1
12	00-316091	Circuit Breaker - Main (45 Amp.).....	1
13	00-316081	Circuit Breaker (208, 230; 2-Pole).....	1
14	00-316149-00002	Circuit Breaker (4 Amp., 1-Pole).....	1
15	00-316149	Circuit Breaker (4 Amp., 1-Pole).....	1
16	00-316096	Contactor (50 Amp.).....	1
17	00-316094	Relay - Control (2-Pole).....	1
18	00-316150	Relay - Control (4-Pole).....	1
19	00-316097	Overload - Adjustable (1.5 - 6 Amp.).....	1
20	00-936897	Overload - Adjustable (6 - 25 Amp.).....	1
21	00-316184	Terminal (2-Pole).....	1
22	00-316165	Terminal (1-Pole).....	1
23	00-316151	Lug - Ground.....	1
24	00-316152	Timer.....	1
25	00-316075	Snubber.....	1
26	00-936869	Circuit Breaker - Linkage.....	1
27	00-941208	Handle - Control Box.....	1
28	00-941209	Handle - Shaft.....	1
29	00-316073	Switch - Empty/Run (Previous Construction).....	1
30	00-936875	Switch.....	1
31	00-316072	Button - Push (Stop).....	1
32	00-316071	Button - Push (Start).....	1
	00-941204	Overload (3 - 12 Amp.).....	1
	00-316166	Rail (Dinrail).....	AR
	00-936865	Contactor - Auxiliary (4-Pole).....	1
	00-936866	Contactor - Auxiliary (2-Pole).....	1
	00-936879	DC Power Supply.....	1
	00-936898	Overload Mount.....	AR
		1
	00-936899	Fuse (0.5 Amp.).....	AR
	00-936900	Fuse (0.25 Amp.).....	AR

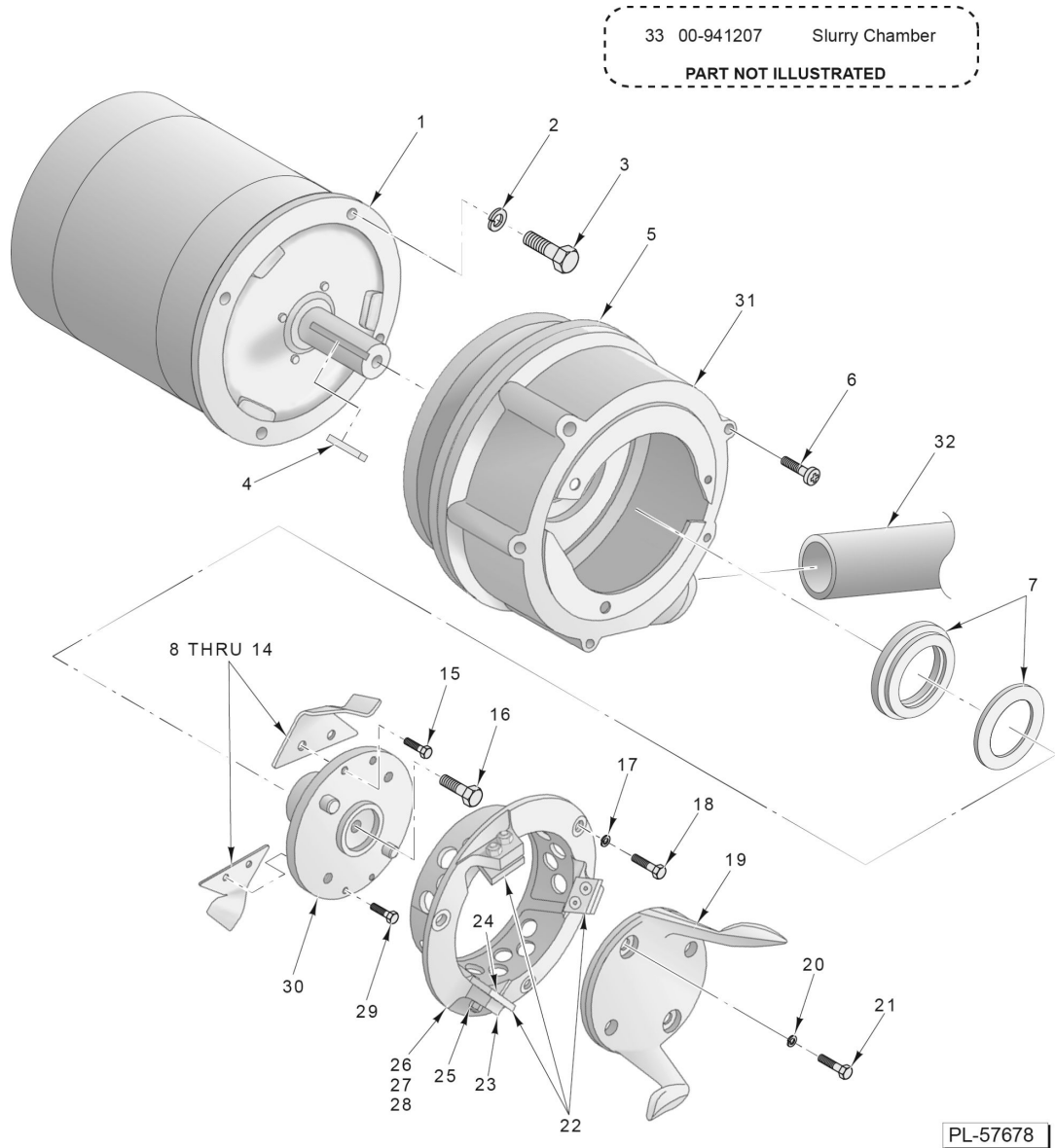


PL-57787

**CONTROL PANEL
(ML-130047, ML-130048, & ML-130049)**

CONTROL PANEL
(ML-130047, ML-130048, & ML-130049)

ILLUS.	PART NO.	NAME OF PART	AMT.
PL-57787			
1	00-316071	Button - Push (Start).....	1
2	00-316072	Button - Push (Stop).....	1
3	00-316073	Switch - Empty/Run (Previous Construction).....	1
4	00-936875	Switch.....	1
5	00-316198	Switch - Pressure.....	1
6	00-316075	Snubber.....	1
7	00-316076	PLC (Computer).....	1
8	00-316085	Circuit Breaker - Main (15 Amp.).....	1
9	00-316086	Circuit Breaker - Main (20 Amp.).....	1
10	00-316087	Circuit Breaker - Main (25 Amp.).....	1
11	00-316088	Circuit Breaker - Main (30 Amp.).....	1
12	00-316089	Circuit Breaker - Main (35 Amp.).....	1
13	00-316090	Circuit Breaker - Main (40 Amp.).....	1
14	00-316091	Circuit Breaker - Main (45 Amp.).....	1
15	00-316095	Contactor (25 Amp.).....	1
16	00-316096	Contactor (50 Amp.).....	1
17	00-316078	Pump - Air.....	1
18	00-316097	Overload - Adjustable (1.5 - 6 Amp.).....	1
19	00-316098	Overload - Adjustable (6 - 25 Amp.).....	1
20	00-316094	Relay - Control (2-Pole).....	1
21	00-316150	Relay - Control (4-Pole).....	1
22	00-316151	Lug - Ground.....	1
23	00-316094	Relay - Control (2-Pole).....	1
24	00-316150	Relay - Control (4-Pole).....	1
25		PLC (Computer(Contact Technical Service).....	1
26	00-316094	Relay - Control (2-Pole).....	AR
27	00-316092	NLA - Obsolete--Transformer (2 & 3 on 1).....	1
28	00-316093	NLA - Obsolete--Transformer (4 on 1).....	1
29	00-316079	Circuit Breaker (1-Pole, 2 & 3 on 1).....	1
30	00-316080	Circuit Breaker (1-Pole, 4 on 1).....	1
31	00-316081	Circuit Breaker (2-Pole, 2 & 3 on 1) (High Voltage).....	1
32	00-316082	Circuit Breaker (2-Pole, 2 & 3 on 1) (Low Voltage).....	1
33	00-316083	Circuit Breaker (2-Pole, 4 on 1) (High Voltage).....	1
34	00-316084	Circuit Breaker (2-Pole, 4 on 1) (Low Voltage).....	1
35	00-316085	Circuit Breaker - Main (15 Amp.).....	1
36	00-316086	Circuit Breaker - Main (20 Amp.).....	1
37	00-316087	Circuit Breaker - Main (25 Amp.).....	1
38	00-316088	Circuit Breaker - Main (30 Amp.).....	1
39	00-316089	Circuit Breaker - Main (35 Amp.).....	1
40	00-316090	Circuit Breaker - Main (40 Amp.).....	1
41	00-316091	Circuit Breaker - Main (45 Amp.).....	1
42	00-316095	Contactor (25 Amp.).....	1
43	00-316096	Contactor (50 Amp.).....	1
44	00-316097	Overload - Adjustable (1.5 - 6 Amp.).....	1
45	00-316098	Overload - Adjustable (6 - 25 Amp.).....	1
46	00-316099	Button - E-Stop.....	1
47	00-316077	Meter - Hour (Round).....	1
48	00-316100	Lamp - Overload.....	1
49	00-316151	Lug - Ground.....	1
50	00-936869	Breaker - Circuit Linkage.....	1
51	00-316077	Meter - Hour (Round).....	1
52	00-941208	Handle - Control Box.....	1
53	00-941209	Handle - Shaft.....	1
	00-941204	Overload (3 - 12 Amp.).....	1
	00-941205	Switch - Pressure (2-Pole).....	1
	00-316166	Rail (Dinrail).....	1
	00-936899	Fuse (0.5 Amp.).....	AR
	00-936900	Fuse (0.25 Amp.).....	AR
	00-316100	Bulb - Red (Stop Switch).....	1
	00-936895	Bulb - Green (Start Switch).....	1



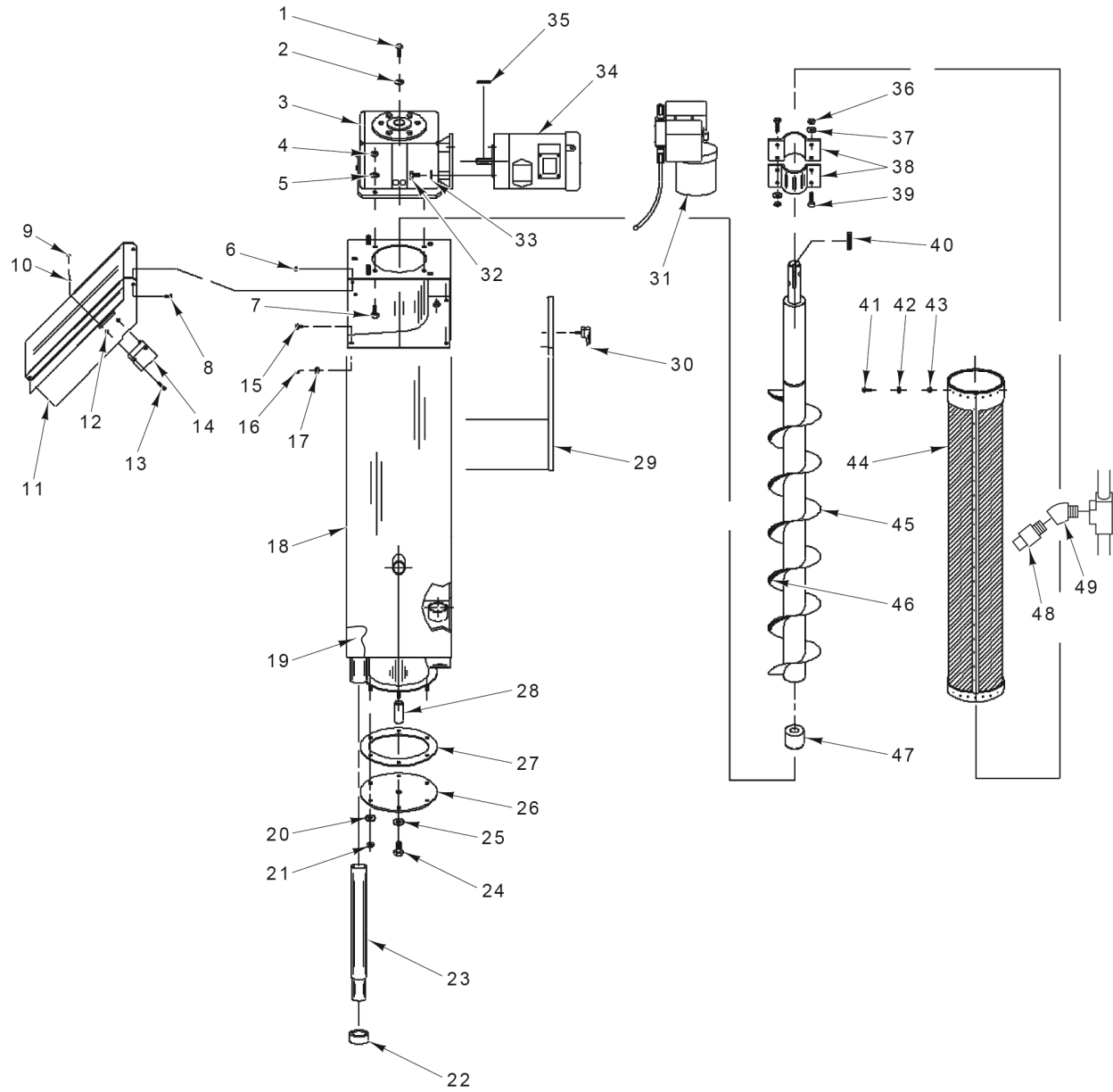
CUTTING AND PUMPING MECHANISM

CUTTING AND PUMPING MECHANISM

ILLUS.	PART NO.	NAME OF PART	AMT.
PL-57678			
1	00-316006	Motor - Pulper Drive.....	1
2		Lockwasher 1/2 Split (SST).....	4
3		Screw 1/2-13 x 1 Hex Hd. (SST).....	4
4		Key (1/4 x 1/4 x 1).....	1
5	00-316153	Adapter - Drive (Previous Construction).....	1
6		Screw 3/8-16 x 1 Hex Hd.....	4
7	00-316005	Seal - Mechanical.....	1
8	00-316160	NLA - Obsolete--Vane - Pumping (Size 0) (Machines Built Prior To 2/22/05).....	2
9	00-316161	Vane - Pumping (Size 1) (Machines Built Prior To 2/22/05).....	2
10	00-316162	Vane - Pumping (Size 2) (Machines Built Prior To 2/22/05).....	2
11	00-316163	Vane - Pumping (Size 3) (Machines Built Prior To 2/22/05).....	2
12	00-316185-00001	Vane - Pumping (Size 1) (Use On WPS1200, MP Pump).....	2
13	00-316185-00002	Vane - Pumping (Size 2) (Machines Built On Or After 2/22/05) (Use on WPR1200)	2
14	00-316185-00003	Vane - Pumping (Size 3) (Machines Built On Or After 2/22/05).....	2
15		Screw 5/16-24 x 1/2 Hex Hd.....	2
16		Screw 3/8-16 x 1 Hex Hd. (SST).....	1
17		Lockwasher.....	3
18		Screw 3/8-24 x 1/2 Hex Hd. (SST).....	3
19	00-316000	Blade - Rotating.....	1
20		Lockwasher.....	2
21		Screw 3/8-24 x 1/2 (SST).....	2
22		Shim (Included with Item 23).....	3
23	00-936904	Cutter - Carbide Stationary (Incls Items 20, 21 & 22).....	3
24		Lock Nut 1/4-20 (SST).....	6
25		Screw 1/4-20 x 1 Flat Hd. (SST).....	6
26	00-316001	Ring - Sizing (Machines Built On Or After 2/22/05).....	1
27	00-316183-00002	Kit - Sizing Ring (Incls. Items 13, 26, & 30) (Machines Built Prior To 2/22/05).....	1
28	00-316183-00003	Kit - Sizing Ring (Incls. Items 14, 26, & 30) (Machines Built Prior To 2/22/05).....	1
29		Screw 5/16-24 x 1/2 Hex Hd.....	2
30	00-316003	Impeller (Machines Built On Or After 2/22/05).....	1
31	00-936909	Gasket - Drive (Between Adapter & Tank).....	1
32	00-316190	Hose - Slurry.....	1
33	00-941207	Slurry Chamber.....	1

50 00-975660 Squeeze Tube Kit - Stenner

PART NOT ILLUSTRATED

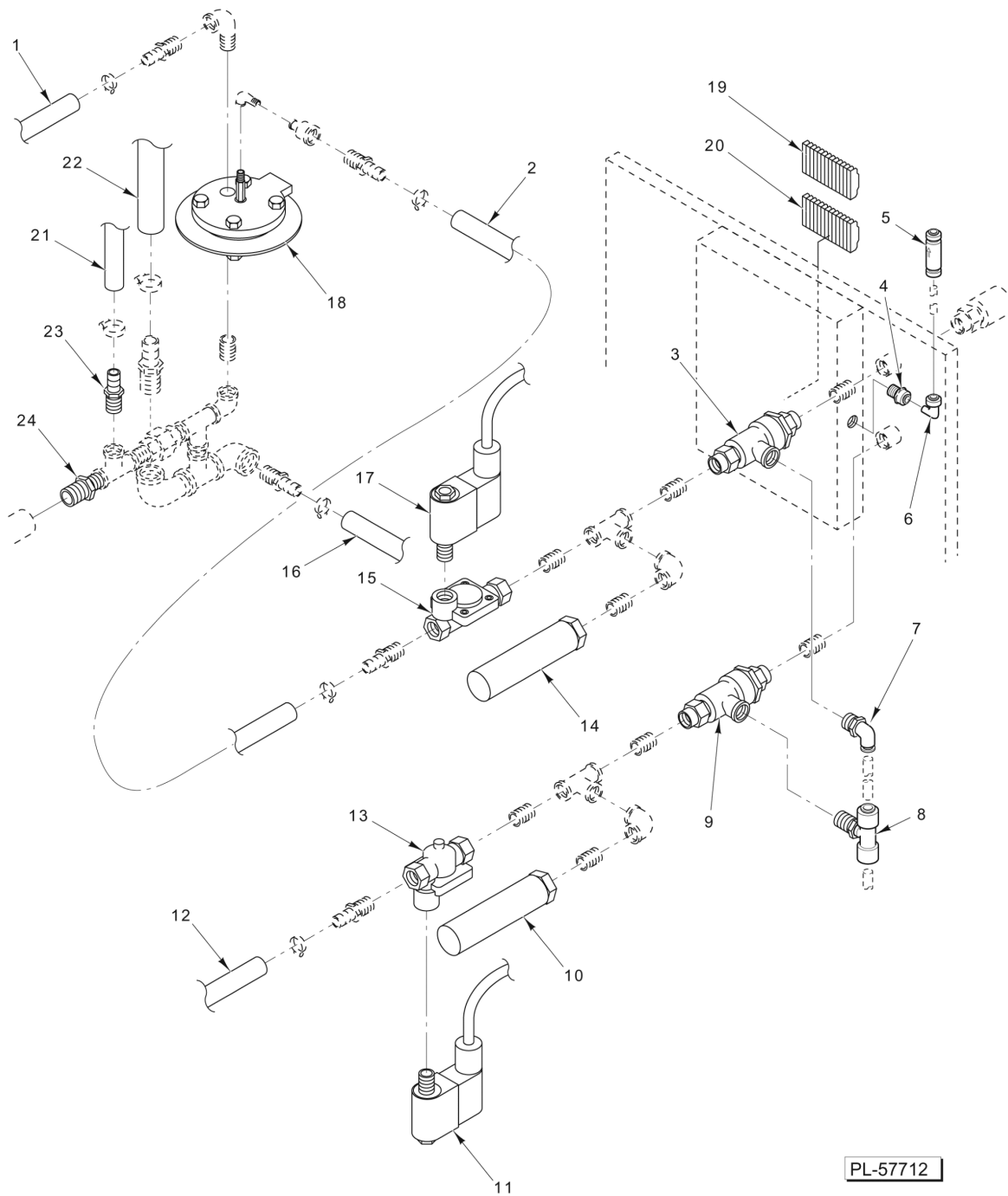


PL-57676

WATERPRESS (ML-130046)

WATERPRESS (ML-130046)

ILLUS.	PART NO.	NAME OF PART	AMT.
PL-57676			
1		Bolt 3/4-16 x 1 1/4 Hex Hd. (SST).....	1
2	00-316154	Washer.....	1
3	00-316020	Reducer 2 Hp.....	1
	00-316387	Cap - Cover Motor.....	1
4		Nut 3/8-16 Hex (SST).....	4
5		Lockwasher 3/8 In. I.D. (SST).....	4
6		Nut 10-32 Hex Elastic Stop (SST).....	2
7		Mach. Screw 3/8-16 x 1 1/4 Hex Hd. (SST).....	4
8		Screw 10-32 x 3/4 Rd. Hd. (SST).....	2
9		Nut 10-32 Hex Elastic Stop (SST).....	2
10		Washer #10.....	2
11	00-316038	Chute - Discharge.....	1
12	00-316013	Magnet - High Energy.....	1
13		Screw 6-32 x 2 1/4 Rd. Hd. (SST).....	2
14	00-316012	Switch - Magnetic.....	1
15		Screw 5/16-18 x 1/2 Hex Hd. (SST).....	4
16		Nut 3/8-16 Hex (SST).....	4
17		Lockwasher 5/16 In. I.D. (SST).....	4
18	00-316022	Head Assy. & Shell Weldment (SST).....	4
19	00-316007	Isolator - Vibration.....	2
20		Washer 3/8 In.....	6
21		Nut 3/8-16 Hex (SST).....	6
22	00-316007	Pad - Vibration.....	1
23	00-316032	Leg.....	2
24		Mach. Screw 1/2-13 x 1 Hex Hd. (SST).....	1
25		Washer 1/2 In.....	1
26	00-316036	Plate - Bottom Pin.....	1
27	00-316035	Gasket - Bottom Plate.....	1
28	00-316034	Pin - Bottom.....	1
29	00-316030	Cover - Access.....	1
30	00-316031	Fastener - Lid.....	1
31	00-316155	Pump - Chemical Additive (Stenner).....	1
32		Bolt 3/8-16 x 3/4 Hex Hd. (SST).....	4
33		Lockwasher 3/8 In. I.D. (SST).....	4
34	00-316019	Motor - Drive 2 Hp.....	1
35		Key 3/16 In. x 3/16 In. x 1 5/8 In. Lg.....	1
36		Nut 3/8-16 Hex (SST).....	4
37		Lockwasher 3/8 In. Split Type (SST).....	4
38	00-316026	Cutter - Plug (Two-Piece) (Adjustable) (Previous Construction).....	1
39		Mach. Screw 3/8-16 x 1 1/2 Hex Hd. (SST).....	4
40		Key 3/8 In. x 3/8 In. x 3 In. Lg.....	1
41		Screw 5/16-18 x 1 Button Hd. Socket Type (SST).....	2
42		Lockwasher 5/16 In. I.D. Split Type (SST).....	2
43		Nut 5/16-18 Hex (SST).....	2
44	00-316023	Screen Assy.....	1
45	00-316024	Screw Assy. - Extractor (Incls. Items 40, 46, & 47).....	1
46	00-316025	Brush (Nylon).....	1
47	00-316027	Bushing - Lower (Screw Shaft).....	1
48	00-316156	Nozzle 1/4 In.....	8
49		Nozzle Elbow - Street 1/4 45 Deg.....	8
50	00-975660	Squeeze Tube Kit - Stenner.....	1

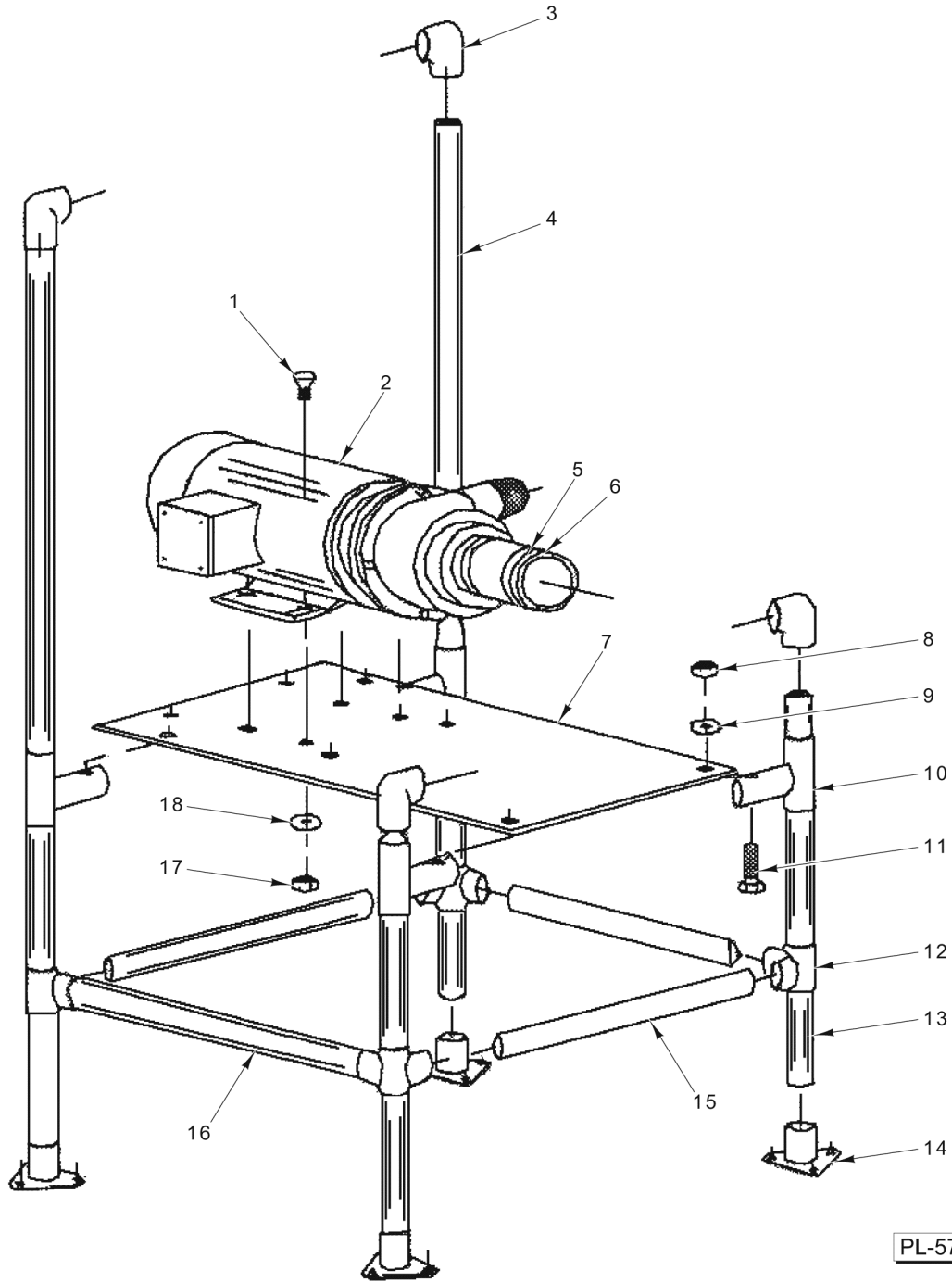


PL-57712

WATER INLET AND RETURN (ML-130046)

WATER INLET AND RETURN (ML-130046)

ILLUS. PL-57712	PART NO.	NAME OF PART	AMT.
1		Hose - Cold Water (3/4 In. x 40 In. Lg.) (From Overflow Plate To Drain).....	1
2		Hose - Cold Water (3/4 In. x 11 In. Lg.) (To Overflow Plate).....	1
3	00-316015	Preventor - Backflow (1/2 In.).....	2
4	00-316188-00006	Fitting.....	1
5	00-316188-00001	Fitting - Check Valve.....	1
6	00-316188-00002	Fitting - Airline Elbow.....	1
7	00-316188-00004	Fitting - Elbow (1/2 NBT x 3/8 In.).....	1
8	00-316188-00003	Fitting - Backflow Preventor.....	1
9	00-316015	Preventor - Backflow (1/2 In.).....	2
10	00-316016	Arrestor - Shock (1/2 In.).....	2
11	00-316017	Valve - Solenoid (1/2 In.) (Incls. Item 13).....	2
12		Hose - Hot Water (3/4 In.) (To Waterpress Screen Flush).....	1
13	00-316017	Solenoid Valve (1/2 In.) - Hot Water Inlet (Incls. Item 11).....	1
14	00-316016	Arrestor - Shock (1/2 In.).....	2
15	00-316017	Valve - Solenoid (1/2 In.) (Cold Water Inlet) (Incls. Item 17).....	1
16	00-316158	Hose (1 1/2 In.) (To End Plate).....	1
17	00-316017	Valve - Solenoid (1/2 In.) (Incls. Item 15).....	2
18	00-316159	Plate - Overflow.....	1
19	00-316164	Terminal Strip (Gray Block).....	1
20	00-316165	Terminal Strip (Black Block).....	1
21		Hose (3/4 In. x 5 In. Lg.) (To Silver Saver).....	1
22	00-316158	Hose (1 1/2 In.) (From Waterpress).....	1
23	00-936896	Barb - Hose (1/2 In. to 3/4 In.).....	1
24	00-936893	Bushing - Reducer (1 In. to 1/2 In.).....	1
	00-936880	Valve - Solenoid (1/2 In.) (Parker).....	1
	00-936881	Valve - Solenoid (3/4 In.) (Parker).....	1

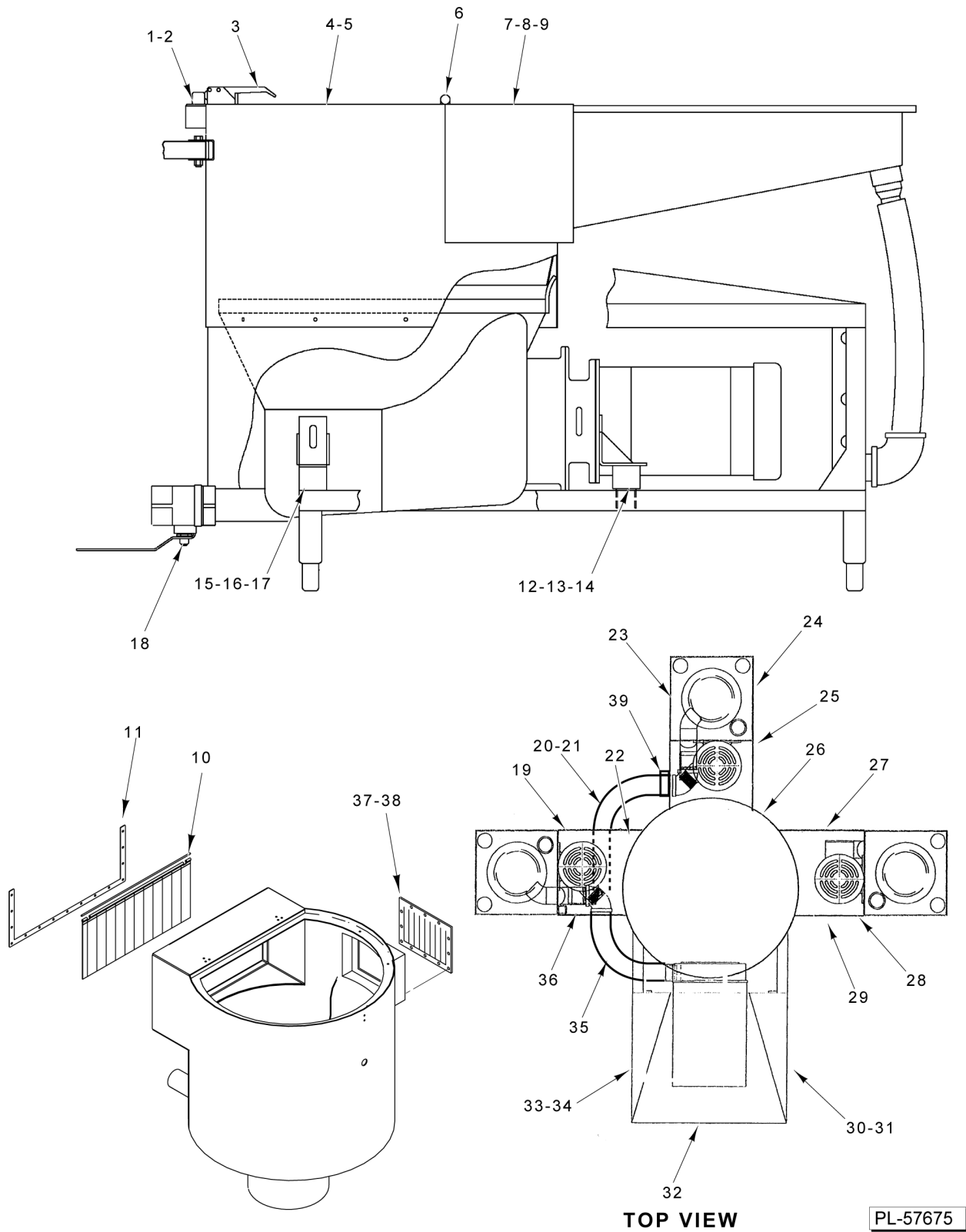


PL-57674

WATERPRESS FRAME (ML-130048)

WATERPRESS FRAME (ML-130048)

ILLUS. PL-57674	PART NO.	NAME OF PART	AMT.
1		Screw 5/16-18 x 3/4 Hex Hd.....	4
2		Pump (See Page 18 & 19).....	1
3	00-316060	Fitting - Speed Rail No. 3 (1 NPS).....	4
4		Pipe 1 NPS, SCH 40, 503/8 In. Lg. (Alum.).....	2
5	00-316058	Hose 2-7/8 In. ID x 4 In. Lg.....	1
6	00-316059	Clamp #QS200M-48S (SST).....	2
7	00-316061	Plate - Pump Mounting.....	1
8		Nut 3/8-16 Hex.....	4
9		Lockwasher 3/8 Split Type.....	4
10	00-316062	Fitting - Swivel 1 NPS.....	4
11		Screw 3/8-16 x 2 1/4 Hex Hd.....	4
12	00-316063	Fitting - Speed Rail No. 5 Tec (1 NPS).....	4
13		Pipe 249/16 In. Lg. 1 NPS, SCH 40 (Alum.).....	2
14	00-316064	Flange - Floor 1 NPS.....	4
15		Pipe 14 1/4 In. Lg. 1 NPS, SCH 40 (Alum.).....	2
16		Pipe 16 1/2 In. Lg. 1 NPS, SCH 40 (Alum.).....	2
17		Nut 5/16-18 Hex.....	4
18		Lockwasher 5/16 Split Type.....	4

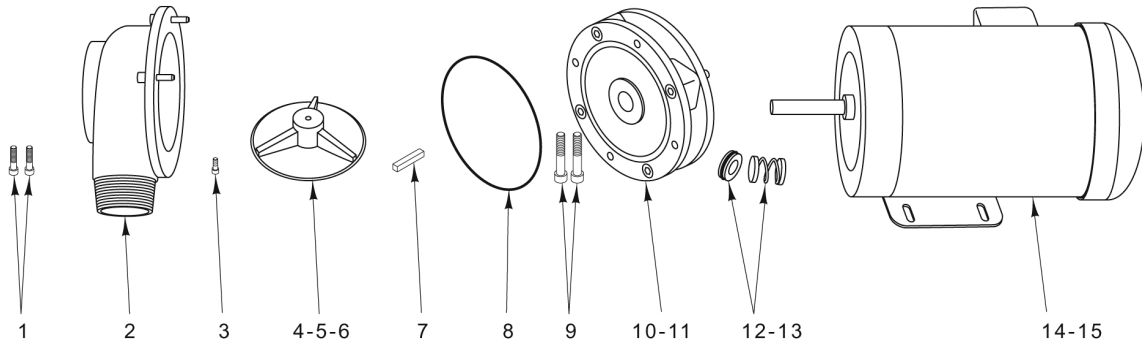


**PULPER
(ML-130046 & ML-130047)**

PL-57675

**PULPER
(ML-130046 & ML-130047)**

ILLUS. PL-57675	PART NO.	NAME OF PART	AMT.
1	00-316012	Switch - Limit.....	1
2	00-316186	Bracket - Limit Switch.....	1
3	00-316008	Latch - Lid.....	1
4	00-316188-00005	Bumper.....	1
5	00-316011	Stop - Lid.....	1
6	00-919666	Hinge -.....	AR
7	00-316200	Magnet - Retainer Assy. (Hinged Cover).....	1
8	00-316199	Epoxy (Model 654).....	AR
9	00-918903	Switch - Limit (DC Powered).....	1
10	00-316014	Curtain - Tray.....	1
11	00-316051	Gasket - Tray.....	1
12	00-316007	Isolator - Vibration (Rubber).....	4
13		Nut 3/8-16 Hex (SST).....	4
14		Lockwasher 3/8 Split (SST).....	4
15	00-316007	Isolator - Vibration (Rubber).....	4
16		Screw 3/8-16 x 1 Hex Hd. (SST).....	4
17		Lockwasher 3/8 Split (SST).....	4
18	00-316018	Valve - Drain (2 In.).....	1
19	00-316174	Panel - Without Holes (9 O clock).....	1
20	00-316191	Hose - Slurry Return (U Shape).....	2
21	00-936894	Elbow - Rubber (90 Deg.).....	1
22	00-316175	Panel - Top (9 O clock).....	1
23	00-316171	Panel (12 O clock).....	1
24	00-316172	Panel - Without Holes (12 O clock).....	1
25	00-316177	Panel - Top (12 O clock).....	1
26	00-936886	Lid - Freestanding.....	1
27	00-316174	Panel - Without Holes (3 O clock).....	1
28	00-316173	NLA - Obsolete--Panel - With Access Hole (3 O clock).....	1
29	00-316176	NLA - Obsolete--Panel - Top (3 O clock).....	1
30	00-316180	Panel - Long Side (RH).....	1
31	00-316181	Panel - Short Side.....	1
32	00-316178	Panel - Motor.....	1
33	00-316181	Panel - Short Side.....	1
34	00-316179	Panel - Long Side (LH).....	1
35	00-316190	Hose - Slurry Return (L Shape).....	2
36	00-316171	Panel (9 O clock).....	1
37	00-975690	Gasket - Trough 9" (Super 60).....	AR
38	00-975689	Gasket - Trough 12" (Super 60).....	AR
39	00-975788	Clamp - Hose 2-3/4 In.....	AR
	00-316137	Magnet - Trough.....	1
	00-316182	Dual - Lok (Velcro).....	AR
	00-936907	Kit - Drain Linkage.....	AR
	00-936882	Valve - Motorized (2 In.).....	1
	00-936902	Actuator - Motor Valve.....	1
	00-316066	Valve - Check (2 In.).....	1
	00-936885	Screen - Tank Drain.....	1
	00-936905	Nozzle - Trough.....	AR
	00-941206	Jam Nut - Trough Nozzle Spacer.....	1
	00-941203	Seal - Tank.....	1



KW PUMP SHOWN

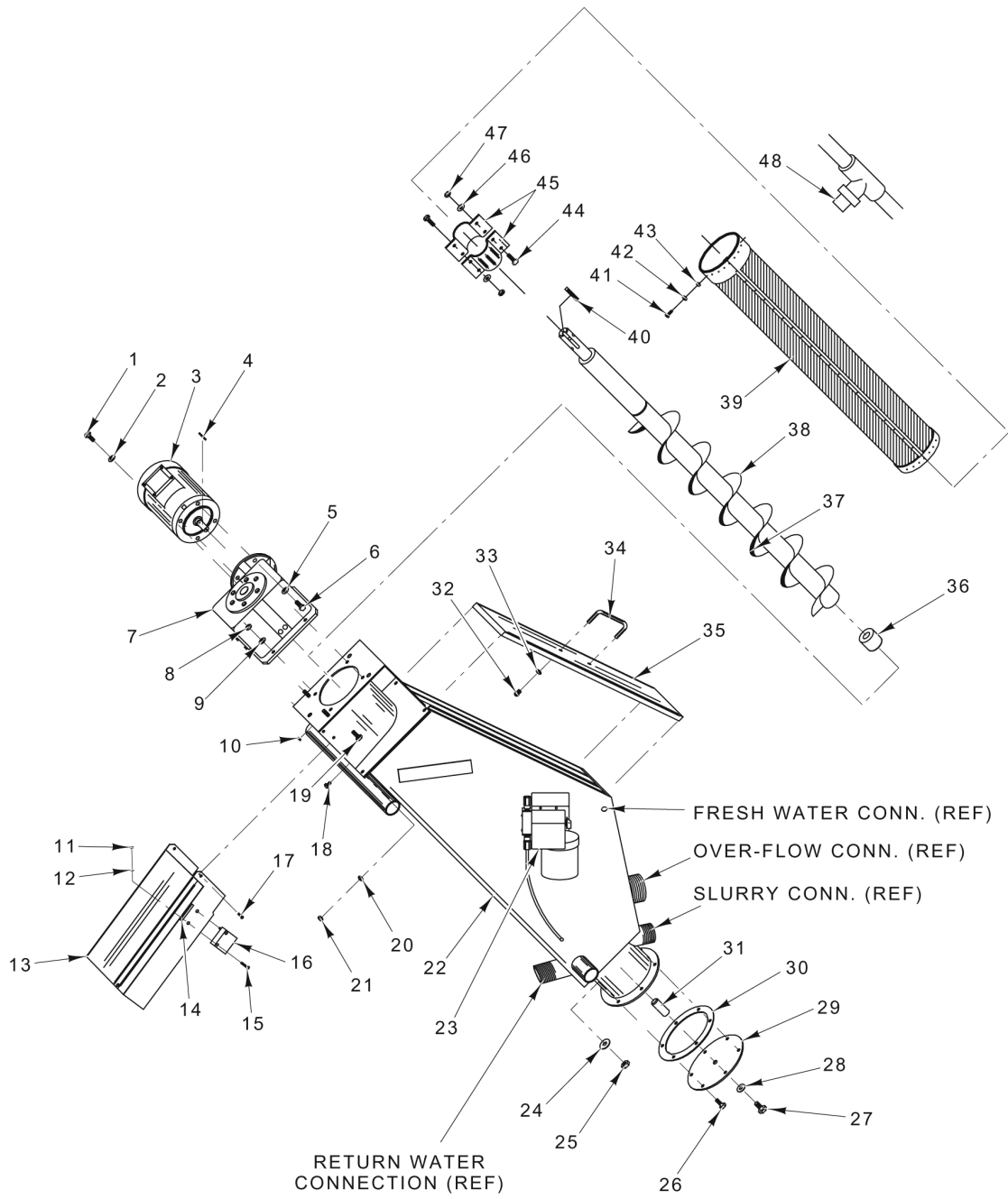
PL-57677

**RETURN WATER PUMP
(ML-130046 & ML-130048)**

**RETURN WATER PUMP
(ML-130046 & ML-130048)**

ILLUS. PL-57677	PART NO.	NAME OF PART	AMT.
*1		Screw 5/16-18 x 3/4 Socket Hd.....	4
*2	00-316039	Housing - Pump (3 Hp. & 5 Hp.) (WPS & WP6) With 4 Bolt Hole.....	1
*3		Screw 10-32 x 5/8 Socket Hd.....	1
*4	00-316070	Impeller (3 Hp.) (WPS1200 Only).....	1
*5	00-316042	Impeller (3 Hp.) (WP6).....	1
*6	00-316041	Impeller (5 Hp.) (WP6).....	1
*7		Key 3/16 In. x 3/16 In. x 1 1/8 In. Lg.....	1
*8	00-316069	O-Ring.....	1
*9		Screw 3/8-16 x 1 3/4 Socket Hd.....	4
*10	00-316045	Ring - Spacer (2 Hp. & 3 Hp.) (WPS & WP6).....	1
*11	00-316044	Ring - Spacer (5 Hp.) (WP6).....	1
*12	00-316046	Seal - Mechanical 5/8 In. (2 Hp. & 3 Hp.) (WPS & WP6).....	1
*13	00-316047	Seal - Mechanical 7/8 In. (5 Hp.) (WP6).....	1
*14	00-316049	Motor (3 Hp.) (208/230/460/60/3) (WPS & WP6).....	1
*15	00-316050	Motor (5 Hp.) (208/230/460/60/3) (WP6 & WP9).....	1
*	00-316168	Pump/Motor Assy. (3 Hp.) (208/230/460/60/3) (WP6).....	1
*	00-316057	Pump/Motor Assy. (5 Hp.) (208/230/460/60/3) (WPR & WP6).....	1
*	00-316056	Pump/Motor Assy. (3 Hp.) (208/230/460/60/3) (WPS).....	1
	00-936872	Motor (3 Hp.) (Leeson).....	1
	00-936868	Pump (MP) (Incls. Impeller, Sleeve, & Housing) Housing with 4 Threaded Studs.....	1
	00-476738-00007	Seal - Mechanical (# Hp. MP Motor).....	1

* KW style Pump and Motor shown

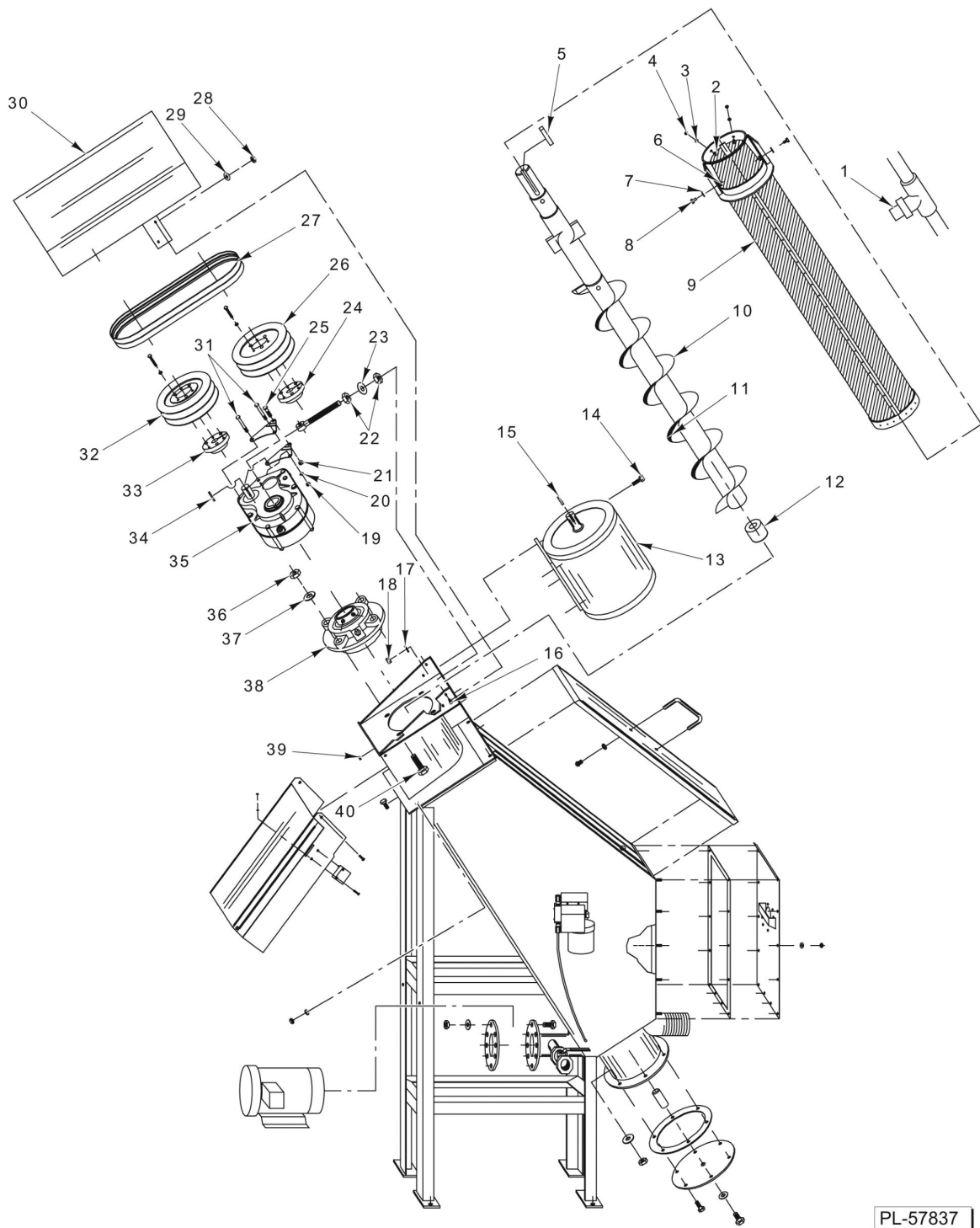


PL-57673

WATERPRESS (ML-130048)

WATERPRESS (ML-130048)

ILLUS. PL-57673	PART NO.	NAME OF PART	AMT.
1		Bolt 3/4-10 x 2 1/2 Hex Hd.....	1
2	00-316154	Washer.....	1
3	00-316052	Motor - Drive 3 Hp.....	1
4		Key 3/16 In. x 3/16 In. x 15/8 In. Lg.....	1
5		Lockwasher 3/8 Helical.....	4
6		Bolt 3/8-16 x 3/4 Hex Hd.....	4
7	00-316053	Reducer 3 Hp.....	1
8		Nut 3/8-16 Hex.....	4
9		Lockwasher 3/8 Helical.....	4
10		Mach. Screw 3/8-16 x 1 1/4 Hex Hd.....	4
11		Nut 6-32 Hex Elastic Stop.....	2
12		Washer #10.....	2
13	00-316038	Chute - Discharge.....	1
14	00-316013	Magnet - High Energy.....	1
15		Screw 6-32 x 2 1/4 Rd. Hd. (SST).....	2
16	00-316012	Switch - Magnetic.....	1
17		Screw 10-32 x 3/4 Rd. Hd. (SST).....	2
18		Screw 5/16-18 x 1/2 Hex Hd. (SST).....	4
19		Nut 10-32 Hex Elastic Stop.....	2
20		Lockwasher 3/8 Helical (SST).....	4
21		Nut 3/8-16 Hex.....	4
22	00-316054	Head Assy. & Shell Weldment.....	1
23	00-316155	Pump - Chemical Additive Pump - Chemical Additive (Stenner).....	1
24		Washer 3/8 In.....	6
25		Nut 3/8-16 Hex.....	6
26		Mach. Screw 3/8-16 x 1 Hex Hd.....	6
27		Mach. Screw 1/2-13 x 1 Hex Hd.....	1
28		Washer 3/8 In.....	1
29	00-316036	Plate - Bottom Pin.....	1
30	00-316035	Gasket - Bottom Plate.....	1
31	00-316034	Pin - Bottom.....	1
32		Mach. Screw 10-32 x 1 1/2 Rd. Hd. (SST).....	2
33		Lockwasher #10 Split Type (SST).....	2
34	00-316009	Handle - Lid.....	1
35	00-316055	Cover - Access.....	1
36	00-316027	Bushing - Lower (Screw Shaft).....	1
37	00-316025	Brush (Nylon).....	1
38	00-316024	Screw Assy. - Extractor.....	1
39	00-316023	Screen Assy.....	1
40		Key 3/8 In. x 3/8 In. x 3 In. Lg.....	1
41		Screw 5/16-18 x 1 Button Hd. Socket Type (SST).....	2
42		Lockwasher 5/16 Split Type (SST).....	2
43		Nut 5/16-18 Hex (SST).....	2
44		Mach. Screw 3/8-16 x 1 1/2 Hex Hd. (SST).....	4
45	00-316026	Cutter - Plug (Two-Piece) (Adjustable).....	1
46		Lockwasher 3/8 Split Type (SST).....	4
47		Nut 3/8-16 Hex (SST).....	4
48	00-316156	Nozzle.....	8

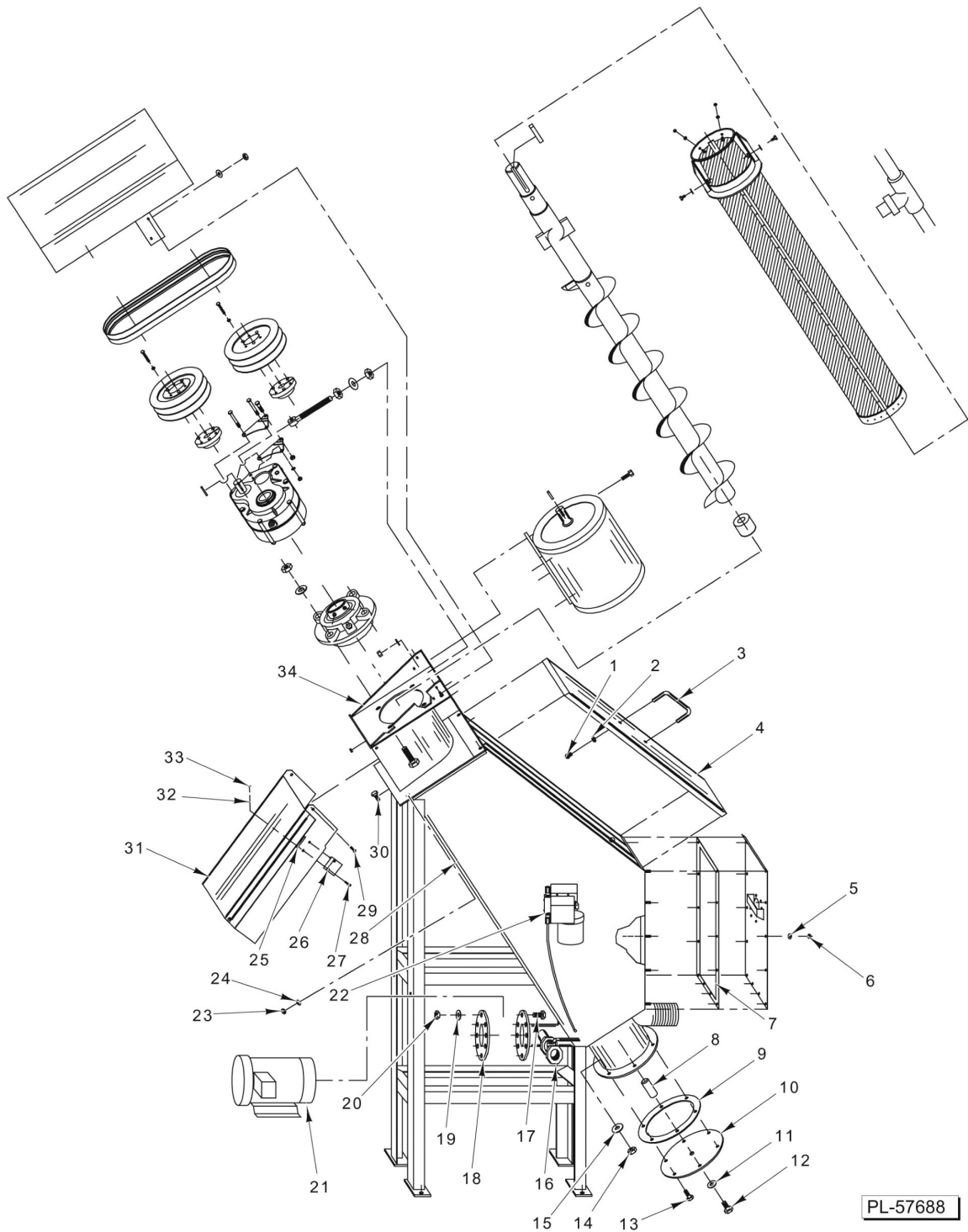


PL-57837

WATERPRESS - UPPER SECTION (ML-130049)

WATERPRESS - UPPER SECTION (ML-130049)

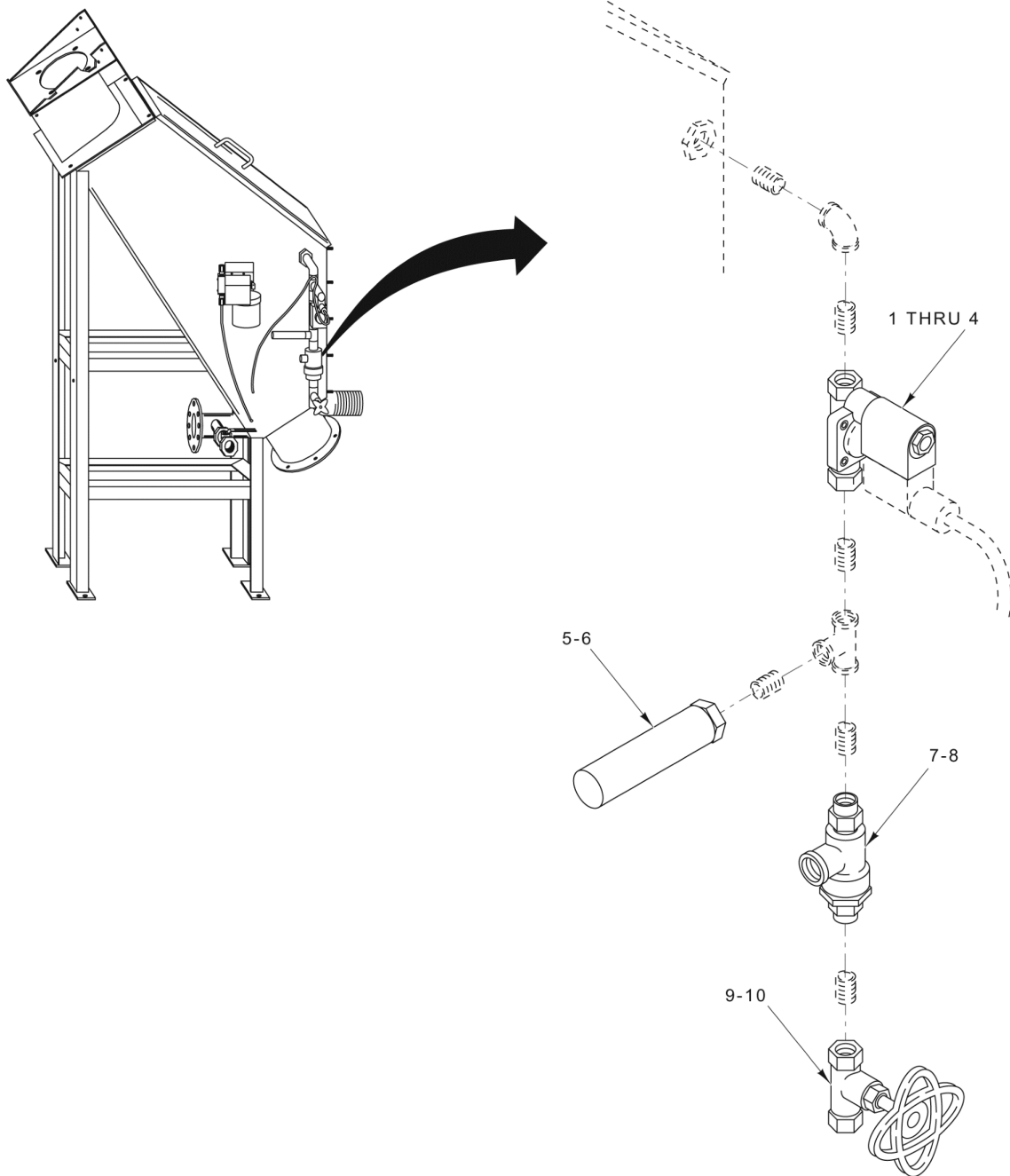
ILLUS. PL-57837	PART NO.	NAME OF PART	AMT.
1	00-316156	Nozzle.....	8
2		Screw 3/8-16 x 1 Button Hd.....	2
3		Lockwasher 3/8 Helical.....	2
4		Nut 3/8-16 Hex.....	2
5		Key - Woodruff 1/2 x 1/4 x 41/2.....	1
6		Nut 1/2-13 Hex.....	2
7		Lockwasher 1/2 Split Type.....	2
8		Screw 1/2-13 x 11/4 Hex Hd.....	2
9	00-316116	Screen Assy.....	1
10	00-316117	Screw Assy.....	1
11	00-316118	Brush - Helicord Flight (4 1/2 Rev.).....	1
12	00-316119	Bushing - Screw Shaft.....	1
13	00-316114	Motor - Drive (5 Hp.) (208/230/460 V., 60 Hz., 3 Ph.).....	1
14		Screw 3/8-16 x 11/4 Hex Hd.....	4
15		Key - Woodruff 1/2 x 3/8 x 21/2.....	1
16		Screw 5/16-18 x 1 Hex Hd.....	4
17		Lockwasher 3/8 Split Type.....	4
18		Nut 3/8-16 Hex.....	4
19		Nut 3/8-16 Hex Hd.....	2
20		Lockwasher 3/8 Split Type.....	2
21		Locknut 3/8-16 Hex Hd.....	1
22		Nut 5/8-11 Hex.....	2
23		Washer 1/2 In.....	1
24	00-316109	Bushing - Driven.....	1
25		Bolt 3/8-16 x 2 Hex Hd.....	1
26	00-316110	Sheave - Driven.....	1
27	00-316107	Belt - Drive.....	2
28		Nut 5/16-18 Hex.....	4
29		Lockwasher 5/16 Split Type.....	4
30	00-316106	Guard - Drive.....	1
31		Bolt 3/8-16 x 41/4 Hex Hd.....	2
32	00-316108	Sheave - Driven.....	1
33	00-316109	Bushing - Driven.....	1
34		Key 1/4 x 1/4 x 15/16.....	1
35	00-316112	NLA - Obsolete--Reducer - Speed.....	1
36		Nut 1/2-13 Hex Hd.....	4
37		Washer 1/2 In.....	4
38	00-316113	Bearing - Flex Block (Flange Type).....	1
39		Nut 10-32 Hex Hd. Elastic Stop (SST).....	2
40		Mach. Screw 1/2-13 x 11/2 Hex Hd.....	4



WATERPRESS - LOWER SECTION (ML-130049)

WATERPRESS - LOWER SECTION (ML-130049)

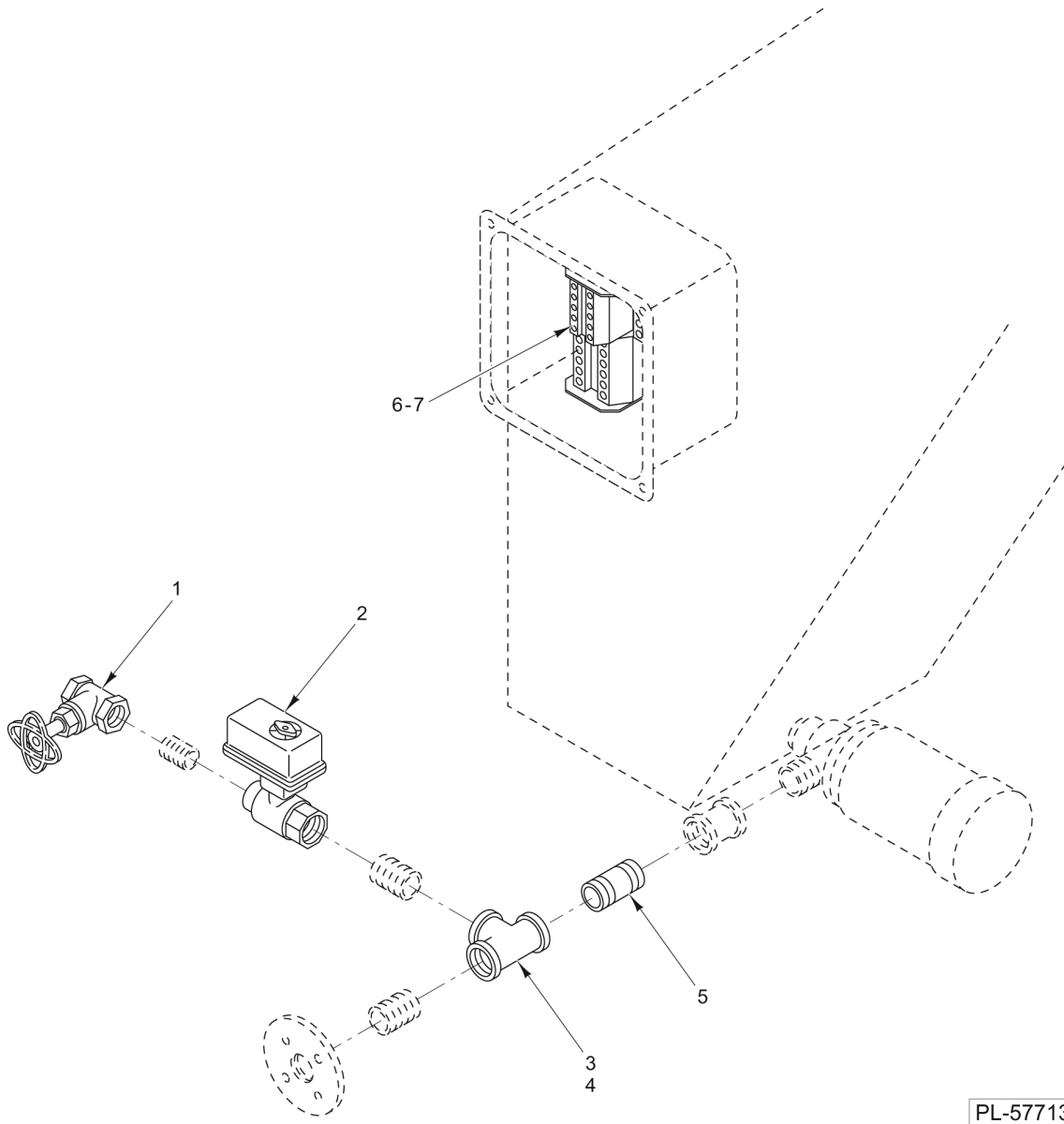
ILLUS. PL-57688	PART NO.	NAME OF PART	AMT.
1		Screw 10-32 x 1/2 Rd. Hd. (SST).....	2
2		Lockwasher #10 Split Type (SST).....	2
3	00-316124	Handle (Alum.).....	1
4	00-316123	Cover - Access.....	1
5		Lockwasher 3/8 Split Type.....	12
6		Nut 3/8-16 Hex.....	12
7		Tape - Sealing 1/16 x 1 x 63 In. Lg. (Prestite #155).....	1
8	00-316120	Pin - Bottom.....	2
9	00-316121	Gasket - Bottom Plate.....	1
10	00-316122	Plate - Bottom Pin.....	1
11		Washer 1/2 In.....	1
12		Mach. Screw 1/2-13 x 1 Hex Hd.....	1
13		Screw 3/8-16 x 1 1/4 Hex Hd.....	8
14		Nut 3/8-16 Hex.....	8
15		Lockwasher 3/8 Split Type.....	8
16	00-316018	Valve - Drain (2 In.).....	1
17		Screw 5/8-13 x 1 1/4 Hex Hd.....	8
18	00-316169	Gasket - Rubber Flange.....	1
19		Lockwasher 5/8 Split Type.....	8
20		Nut 5/8-13 Hex.....	8
21	00-316194	NLA - Obsolete--Pump - Water Return (7.5 Hp.).....	1
22	00-316155	Pump - Chemical Additive Pump - Chemical Additive (Stenner).....	1
23		Nut 3/8-16 Hex.....	4
24		Washer.....	4
25	00-316013	Magnet.....	1
26	00-316012	Switch - Limit (Magnetic Proximity).....	1
27		Screw 6-32 x 2 1/4 Rd. Hd.....	2
28	00-316115	Shell Weldment.....	1
29		Screw 10-32 x 3/4 Rd. Hd. (SST).....	2
30		Screw 3/8-16 x 1 Hex Hd.....	4
31		Chute - Discharge (Contact Technical Service).....	1
32		Washer #10.....	2
33		Nut 6-32 Hex Hd. Elastic Stop.....	2
34	00-316192	NLA - Obsolete--Head Assy.....	1



**WATER INLET
(ML-130048 & ML-130049)**

**WATER INLET
(ML-130048 & ML-130049)**

ILLUS. PL-57711	PART NO.	NAME OF PART	AMT.
1	00-316017	Valve - Solenoid 1/2 In. (WP6) (Previous Construction).....	1
2	00-936880	Valve - Solenoid 1/2 In. (WP6) (Parker) (Current Construction).....	1
3	00-316128	NLA - Obsolete--Valve - Solenoid 3/4 In. (WP9) (Previous Construction).....	1
4	00-936881	Valve - Solenoid 3/4 In. (WP9) (Parker) (Current Construction).....	1
5	00-316016	Arrestor - Shock 1/2 In. (WP6).....	1
6	00-316127	Arrestor - Shock 3/4 In. (WP9).....	1
7	00-316015	Preventor - Backflow 1/2 In. (WP6).....	1
8	00-316111	NLA - Obsolete--Preventor - Backflow 3/4 In. (WP9).....	1
9	00-316065	Valve - Gate 1/2 In. (WP6).....	1
10	00-316126	Valve - Gate 3/4 In. (WP9).....	1



PL-57713

**WATER RETURN
(ML-130048 & ML-130049)**

**WATER RETURN
(ML-130048 & ML-130049)**

ILLUS.	PART NO.	NAME OF PART	AMT.
PL-57713			
1	00-316068	Valve - Gate 1-1/2 In.....	1
2	00-936901	Valve - Motor Operated 1 1/2 In.....	1
3	00-316066	Valve - Check 2 In. (WP6).....	1
4	00-316129	NLA - Obsolete--Valve - Check 3 In. (WP9).....	1
5	00-316130	Connector - Flex 3 In.....	1
6	00-316164	Terminal Strip (Gray Block).....	1
7	00-316165	Terminal Strip (Black Block).....	1
	00-936902	Actuator - Motor Valve.....	1

